



**THANK YOU FOR VOTING TEXECOM**

# **Operators Manual**

## ***Audio Verification (AV) Module***



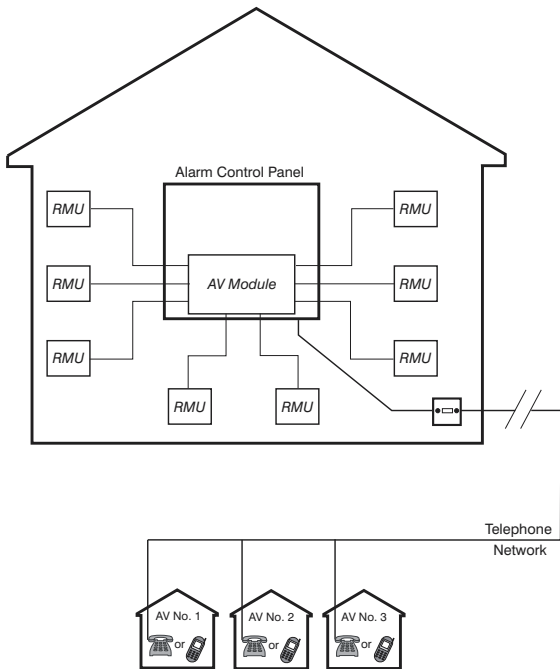
**Texecom**  
[www.texe.com](http://www.texe.com)

# Contents

<b>1. Overview.....</b>	<b>3</b>
Introduction .....	3
Features .....	4
<b>2. Operation .....</b>	<b>5</b>
Connecting to the Alarm System .....	5
AV Control Commands .....	6
<b>3. Installation Records.....</b>	<b>11</b>

# 1. Overview

## Introduction



The *AV Module* will be installed inside the alarm control panel and up to 16 Remote Microphone Units (RMU) will be connected to it. The alarm control panel is connected to the telephone line via a communications module. This allows the system to call up to three recipients (AV No. 1 - 3) following an intruder alarm condition. Once the recipient is connected with alarm system they can listen-in to the protected premises and control the alarm system via a standard touch-tone or mobile telephone.

### Features

After an intruder alarm condition has occurred the alarm system will first report the alarm event to an alarm monitoring company (central station). After which it will dial AV No.1, if there no answer from AV No.1 the system will call AV No. 2 and so on. When one of the three recipients answers the call they must use their touch-tone telephone to gain access with the alarm system. If successful the recipient can use their touch-tone telephone to:

**Select *RMU* 01 to 16:** The recipient can select one of the remote microphone units so that they can listen-in to any activity at the protected premises. Only one *RMU* can be selected at any one time.

**Generate a “Ping” Tone:** The recipient can use this function to generate a “Ping” tone from the selected keypad and expander so that *RMU* operation can be confirmed.

**Arm Partitions:** The recipient can arm the partitions assigned their access code.

**Disarm Partitions:** The recipient can disarm the partitions assigned their access code.

**Reset Partitions:** The recipient can reset any alarms in the partitions assigned their access code.

**Switch On and Off AV Outputs 1 to 16:** The recipient can turn on and off the outputs 1 to 16 on the AV Module.

**Switch On and Off PC Outputs 1 to 8:** The recipient can turn on and off the “PC Controlled” outputs 1 to 8 on the control panel.

**Remove from AV Call List:** If the recipient removes them self from the AV call list, the alarm system will not attempt to call them again until a new alarm event occurs. The alarm system will still continue to attempt the remaining recipients on the call list.

**Cancel AV Calling Sequence:** If the recipient cancels the AV calling sequence, the alarm system will not attempt to call anyone on the AV call list until a new alarm event occurs.

**Hang-up Call:** If the recipient hangs up the call, the alarm system will call the recipient again after a predefined delay (AV Re-Dial Delay). The system will continue to call the recipient until the recipient either cancels the AV calling sequence or removes them self from the calling list.

## 2. Operation

### Connecting to the Alarm System

After an alarm has occurred the system will first report the event to the alarm monitoring company, then it will dial the first person in the AV call list.

#### ► Connecting to the Alarm System:

- 1 When the alarm system calls you should answer the call as normal.
- 2 You will hear a series of high pitched beeps, press the [\*] key on your telephone whilst the beeps are playing.
- 3 Enter your pass code e.g. “5678” on the telephone (if your code is accepted you will hear two high pitched beeps).
- 4 You are now online with the control panel. The alarm system can now be controlled using commands shown on the next page.

### Dial in for Remote Access

Normally you will only need to connect with the alarm system after it has called you. However, you can call the alarm system at any time and connect with it so that you can listen-in or control the system (Remote Access).

#### ► To Dial in for Remote Access:

- 1 Dial the alarm system using a touch-tone telephone.
- 2 When alarm system answers you will hear a series of high pitched beeps, press the [\*] key on your telephone whilst the beeps are playing.
- 3 Enter your pass code e.g. “5678” on the telephone (if your code is accepted you will hear two high pitched beeps).
- 4 You are now online with the control panel. The alarm system can now be controlled using commands shown on the next page.

## AV Control Commands

The AV Module is controlled using a standard touch-tone or mobile telephone. Before any commands can be used you must be online with the alarm system (see Connecting to the Alarm System). The table below shows the commands that can be used once online with the alarm system:

Key	Command
*1#	Arm Partitions
*2#	Disarm Partitions
*3#	Reset Partitions
*4	<i>RMU</i> Menu: <b>01 - 16</b> = Select <i>RMU</i> 01 to 16 for listen-in mode. * = Generate "Ping" Tone # = Exit <i>RMU</i> Menu
*5xx1#	Switch ON AV Outputs 01 to 16 (xx = Output number)
*5xx0#	Switch OFF AV Outputs 01 to 16 (xx = Output number)
*6x1#	Switch ON PC Outputs 1 to 8 (x = Output number)
*6x0#	Switch OFF PC Outputs 1 to 8 (x = Output number)
*7#	Remove your Number from AV Call List
*8#	Cancel AV Calling Sequence
*0#	Hang-up Call

**Arm Partitions [\*][1][#]**

This command will arm the partitions assigned to your passcode.

**► To Arm your Partitions:**

- 1 Ensure that you are online with the alarm system.
- 2 Enter [\*][1][#] on your telephone. After the partitions have armed you will hear a high pitched beep.
- 3 Use your telephone to select other AV commands or enter [\*][0][#] to hang-up the connection with the alarm system.

**Disarm Partitions [\*][2][#]**

This command will disarm the partitions assigned to your passcode.

**► To Disarm your Partitions:**

- 1 Ensure that you are online with the alarm system.
- 2 Enter [\*][2][#] on your telephone. The partitions will disarm and you will hear a high pitched beep.
- 3 Use your telephone to select other AV commands or enter [\*][0][#] to hang-up the connection with the alarm system.

**Reset Partitions [\*][3][#]**

This command will reset any alarms in the partitions assigned to your passcode.

**► To Reset your Partitions:**

- 1 Ensure that you are online with the alarm system.
- 2 Enter [\*][3][#] on your telephone. The partitions will reset and you will hear a high pitched beep.
- 3 Use your telephone to select other AV commands or enter [\*][0][#] to hang-up the connection with the alarm system.

### RMU Menu [\*][4]

After entering this command you can listen-in to the selected *RMU*. Whilst you have a *RMU* selected, you can press the [\*] key to generate “Ping” tone from the expander and keypad speaker outputs. For example, if *RMU 04* is selected, pressing the [\*] key will cause remote keypad 4 and expander 4 to generate a “Ping” tone.

#### ► To Select the *RMU* Menu

- 1 Ensure that you are online with the alarm system.
- 2 Enter [\*][4] on your telephone to select the *RMU* menu.
- 3 Enter [0][1] to select *RMU 01*, [0][2] to select *RMU 02* etc. After selecting the *RMU* you will hear a high pitched beep and then be able to hear activity from the area where the *RMU* is sited. You can press the [\*] key to generate a “Ping” tone if required.
- 4 Press [#] to exit the *RMU* menu.
- 5 Use your telephone to select other AV commands or enter [\*][0][#] to hang-up the connection with the alarm system.

### Switch On and Off AV Outputs [\*][5][x][x][1]/[0][#]

This command can be used to switch *AV Module* outputs 1 to 16 on or off.

**Note:** If the “Auto AV Output” option is enabled (default) by your installer, the *AV Module* outputs (1 to 16) will automatically switch on when the associated microphone is selected. For example, when *RMU 02* is selected, Output 2 on the *AV Module* is also switched on.

#### ► To Switch ON AV Outputs 1 to 16:

- 1 Ensure that you are online with the alarm system.
- 2 Enter [\*][5] followed by the output number [0][1] - [1][6] then [1][#] on your telephone. You will hear two high pitched beeps.
- 3 Use your telephone to select other AV commands or enter [\*][0][#] to hang-up the connection with the alarm system.

► **To Switch OFF AV Outputs 1 to 16:**

- 1 Ensure that you are online with the alarm system.
- 2 Enter **[\*][5]** followed by the output number **[0][1] - [1][6]** then **[0][#]** on your telephone. You will hear two low pitched beeps.
- 3 Use your telephone to select other AV commands or enter **[\*][0][#]** to hang-up the connection with the alarm system.

**Switch On and Off PC Outputs [\*][6][x][1]/[0][#]**

This command can be used to switch "PC Controlled" outputs 1 to 8 on or off. These outputs can be configured by your installer to perform special functions, .e.g. switching external lighting on and off.

► **To Switch ON PC Outputs 1 to 8:**

- 1 Ensure that you are online with the alarm system.
- 2 Enter **[\*][6]** followed by the output number **[1] - [8]** then **[1][#]** on your telephone. You will hear two high pitched beeps.
- 3 Use your telephone to select other AV commands or enter **[\*][0][#]** to hang-up the connection with the alarm system.

► **To Switch OFF PC Outputs 1 to 8:**

- 1 Ensure that you are online with the alarm system.
- 2 Enter **[\*][6]** followed by the output number **[1] - [8]** then **[0][#]** on your telephone. You will hear two low pitched beeps.
- 3 Use your telephone to select other AV commands or enter **[\*][0][#]** to hang-up the connection with the alarm system.

### **Remove your Number from AV Call List [\*][7][#]**

This command will remove your number from the AV call list and hang-up the connection with the alarm system. You will not be called again until a new alarm event occurs.

#### **► To Remove your Number from the AV Call List:**

- 1 Ensure that you are online with the alarm system.
- 2 Enter [\*][7][#] on your telephone, you will hear a high pitched beep and the connection will hang-up.

### **Cancel AV Calling Sequence [\*][8][#]**

This command will cancel the AV calling sequence and hang-up the connection with the alarm system. No one on the call list will be called again until a new alarm event occurs.

#### **► To Cancel the AV Calling Sequence:**

- 1 Ensure that you are online with the alarm system.
- 2 Enter [\*][8][#] on your telephone, you will hear a high pitched beep and the connection will hang-up.

### **Hang-up Call [\*][0][#]**

This command hangs-up the connection with the alarm system. The alarm system will continue to call you back after a predefined delay (AV Re-Dial Delay). This will continue until either the AV calling sequence is cancelled or you remove yourself from the calling list.

#### **► To Hang-up the Call:**

- 1 Ensure that you are online with the alarm system.
- 2 Press [\*][0][#] on your telephone, you will hear a high pitched beep and the connection will hang-up.

## 3. Installation Records

### RMU Locations

RMU	Location	RMU	Location
01		09	
02		10	
03		11	
04		12	
05		13	
06		14	
07		15	
08		16	

### AV Call List

No	Name	Tel No.
1		
2		
3		

### Installer Details

Installation Company: \_\_\_\_\_

Address: \_\_\_\_\_

\_\_\_\_\_

\_\_\_\_\_

Telephone: \_\_\_\_\_

Fax: \_\_\_\_\_

Email: \_\_\_\_\_

# **Texecom**

**www.texe.com**

Texecom Limited, Bradwood Court, St. Crispin Way, Haslingden,  
Lancashire BB4 4PW, England.

*Speech Dialler* is a Trademark of Texecom Ltd.

The *Speech Dialler* is protected by UK and/or International Registered  
Design. Registered Design Number: 2089016

© TEXECOM LTD. 2000 - 2004

**INS265**