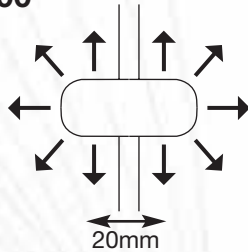


PHOTOELECTRIC BEAM ENCLOSURE

(BEAM TOWER) PT-200



PT-200



180° Viewing angle from both sides



The PT-200 Beam Tower is a robust, discreet enclosure for the range of TAKEX photoelectric beams. The extruded aluminium frame of the tower ensures an attractive, compact and durable enclosure.

Features

- **MOUNTING HARDWARE**

The towers can be mounted directly onto a concrete base or mounted on the optional floor brackets set into concrete at the time of site preparation and cable installation. The towers can also be wall mounted using the optional wall-mount brackets.

- **TOTAL FLEXIBILITY**

The towers can contain the TAKEX photoelectric beams providing single or multiple beam options with external ranges of up to 200 metres. The photoelectric beams are secured by the height adjustable fixings included with each tower.

- **TAMPER PROTECTION**

The towers come complete with a top cover tamper switch. To prevent an intrusion through climbing over the towers, a weight sensitive top tamper plate is available.

- **HEATERS**

For difficult external environments the towers can be fitted with a 12V DC (250mA) heater and thermostat arrangement, which is available as an extra.

- **FIXING KIT**

A full fixing kit including expandable bolts is included with every PT-200.

External Dimensions (mm)

- **PT-200 Dimensions**

Width: 13.2cm
 Depth: 23.6cm
 Height: 200cm
 Weight: 12Kg

- **PT-200 Optional Accessories**

PT-FB: Floor Bracket
 PT-PS: Pressure switch

- **PT-3 (3m Beam Tower)**

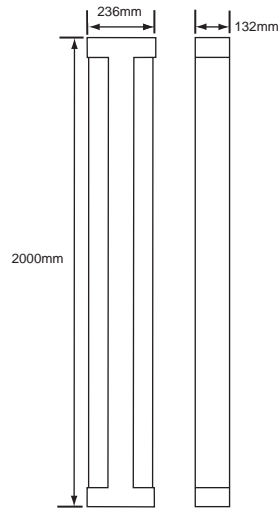
- **PT-200W Dimensions**

Width: 13.2cm
 Depth: 13cm
 Height: 200cm
 Weight: 8Kg

- **PT-200W Optional Accessories**

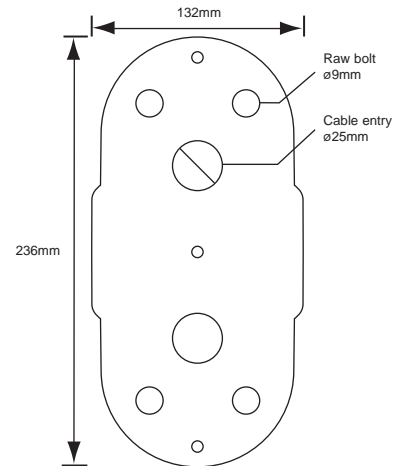
PT-WPS: Pressure Switch
 PT-H: Heater
 PT-S: Thermostat

- **PT-200 Dimension**

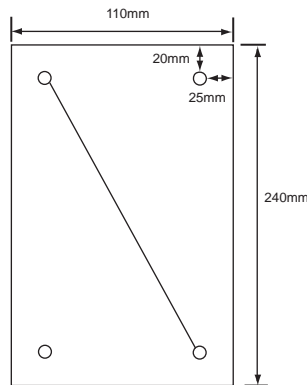


Also available
 3m height (PT-3)

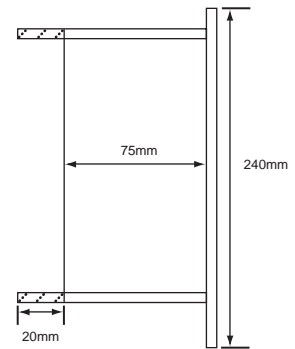
- **PT-200 Base Configuration**



- **PT-FB
 Top View**



- **Side View**



Due to ongoing product improvements, specifications may change without notice.

Note: This sensor is designed to detect passing objects and to initiate a signal. It is not a burglar-preventing device. TAKEX is not responsible for damages or losses caused by accidents, thefts, Acts of God (including inductive lightning), abuses, misuses, abnormal usages, faulty installation or improper maintenance.



TAKEX Europe Ltd.

Aviary Court, Wade Road
 Basingstoke, Hants RG24 8PE, U.K.
 Tel: 44 (1256) 475555
 Fax: 44 (1256) 466268
 Email: sales@takexeurope.com
 Website: www.takexeurope.com

PT200 DS-10 04
 (GRI-170)