

ANTI-MASKING BASE UNIT BP-150AE



The BP-150AE is a unique sensor base unit that adds anti-masking functionality to several TAKEX products. It prevents the sensor from being sabotaged by spray paint, paper or the attachment of other materials in an attempt to blind or mask the unit. Equipped with a photoelectric sensor, the unit will issue an alarm when it detects an event. You can add anti-masking functionality to the PA-6812E, PA-6820E, PA-6810E, PA-6805E, PA-6612E or FS-2000E* by simply replacing the existing sensor base with the BP-150AE

Just snap in an applicable sensor head.



Issues a trouble alarm when covered by paper or cloth.

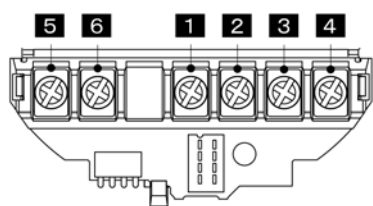


Also detects putting a cover for sabotage



ANTI-MASKING BASE UNIT

■ TERMINAL ALLGIMENT



1 2 Power(non-polarity)

9 to 30V DC

Power is supplied to both base unit and sensor unit through terminal 1 and 2. The supply voltage should be subject to the narrower nominal voltage specified for either base or sensor unit.

3 4 Alarm

Output should be subject to the spec.of the attached sensor unit.

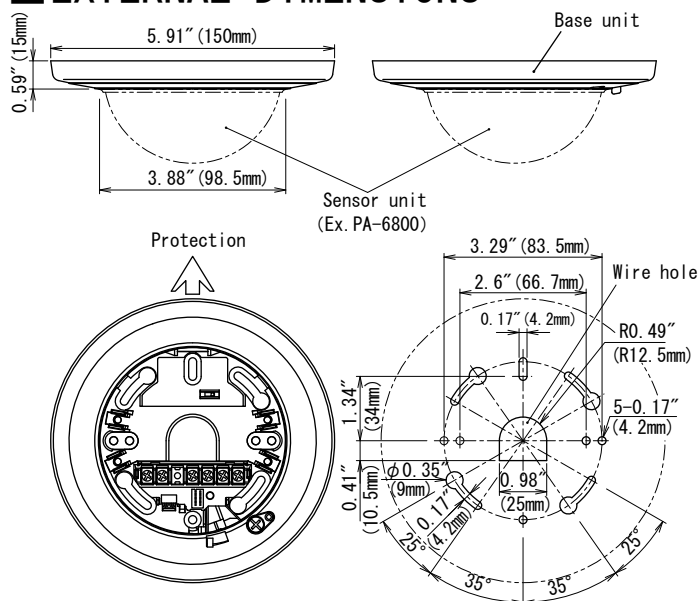
5 6 Trouble alarm

N.C. only 24V(AC/DC),0.25A Max

Anti-masking operation : Off delay output at detection(Approx.2sec)

Tamper output : Real time output when the sensor unit is removed from the base.

■ EXTERNAL DIMENSIONS



■ SPECIFICATIONS

Model	BP-150AE
Detection system	Direct reflection system by near infrared
Protection distance	Area in front of sensor
Detection element	Photo IC
Terminals	①② :Power supply to both sensor unit and anti-masking base ③④ :Alarm output ⑤⑥ :Trouble alarm output paralleled with tamper output
Installed location	Indoor ceiling mount
Compatible models and Power Supply (non-polarity)	9 to 18VDC :PA-6812E,PA-6820E,PA-6805E,PA-6810E, 10.5 to 18VDC :PA-6612E 10 to 30VDC :FS-2000E* (Alarm output is limited to N.C. only)
Alarm output	Subject to the attached sensor unit *N.C. only for FS-2000E
Current consumption	Max 15mA (Base unit only)
Trouble alarm output	Dry contact (Semi-conductor) output N.C. Rating : 24V AC/DC Max. 0.25A (resistive load) Contact protection resistor 3.3 ohms OR-gated with tamper output through terminal ⑤ & ⑥
Trouble alarm operation	Anti-masking output :Off delay operation (Min Approx. 2 sec.) Tamper output :Real time operation
LED	Trouble LED :Orange Warming up :Light off Anti-masking output :Off delay light (Min 2sec.) Tamper output :Light off
Ambient temperature range	-15°C to +55°C
Wiring	Terminals
Weight	120 g (3.86 oz)
Appearance	Body : ABS resin (White)

TAKEX TAKENAKA ENGINEERING CO.,LTD.

In Japan

Takenaka Engineering Co.,Ltd.
83-1,Gojo-sotokan,Higashino,
yamashina-ku,Kyoto 607-8156,Japan
tel :81-75-501-6651
Fax :81-75-593-3816

In the U.S.

Takex America Inc.
1330 Orleans Drive, Sunnyvale,
CA 94089, U.S.A.
tel :408-747-0100
Fax :408-734-1100

In Australia

Takex America Inc.
Unit 16/35 Garden Road,Clayton,
3168 Victoria,Australia
tel :03-9546-0533
Fax :03-9547-9450

Takex America Inc.
Brisbane office:1/50 Logan
Road,Woolloongabba
Queensland 4102,Australia
tel :07-3891-3344
Fax :07-3891-3355

In the U.K.

Takex Europe Inc.
Takex House,Aviary Court,Wade Road,
Basingstoke,Hampshire.RG24 8PE,U.K.
tel :(+44)01256-475555
Fax :(+44)01256-466268

CAT.No.SAMPLE0511